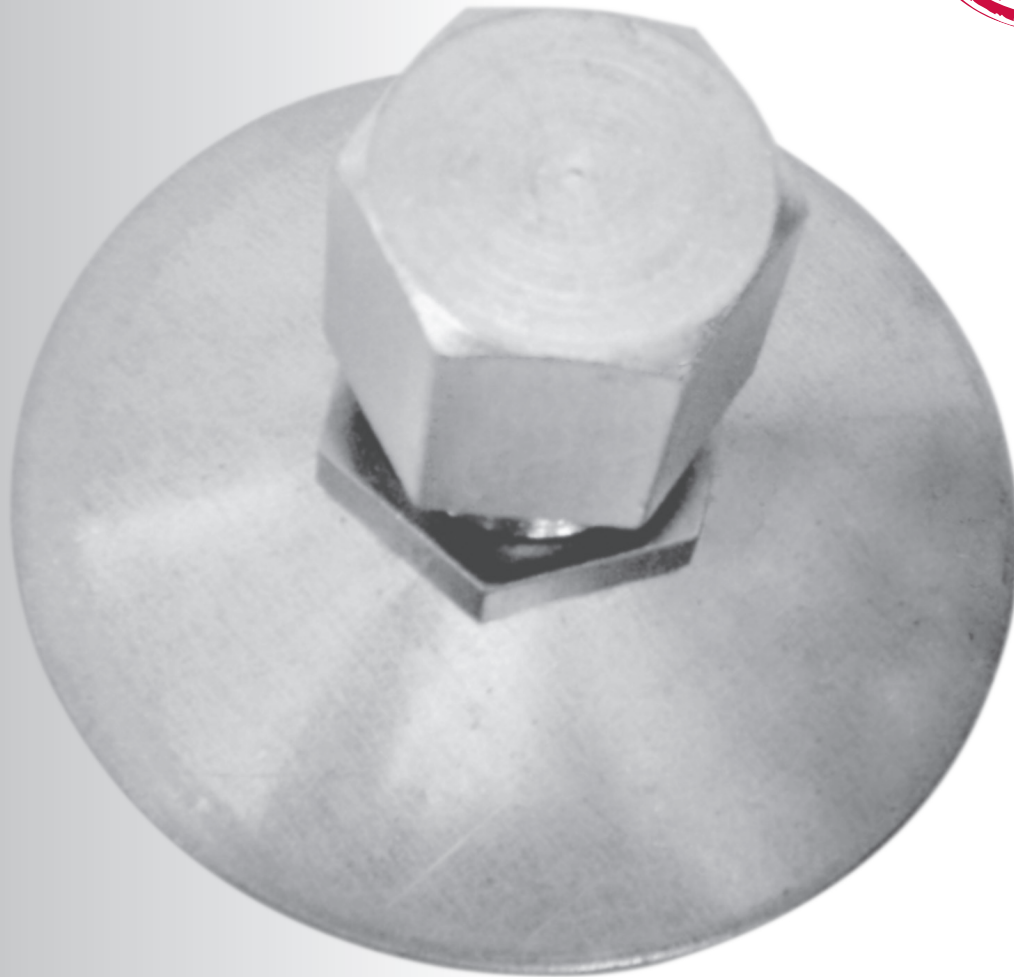


D U C T M A T E

# Moisture Drain



## Leak-Proof Moisture Drain

Fast, Economical Way to Install a Leak-Proof Drain

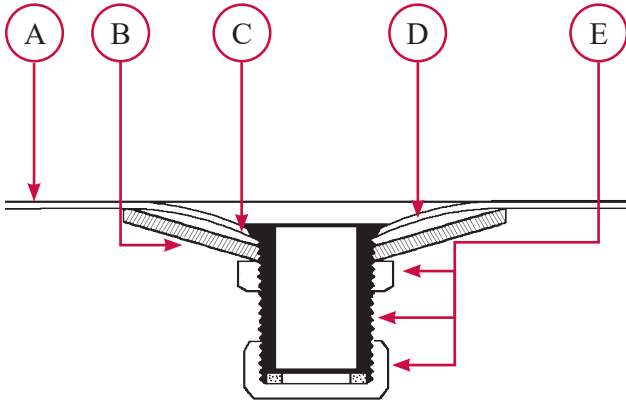
Draws surrounding duct area into a funnel shape, ensuring drainage



**DUCTMATE**<sup>®</sup>  
**Industries**  
A DMI COMPANY

# Moisture Drain

# Leak-proof Drain



## COMPONENTS & FEATURES

- A. Duct wall
- B. The funnel is made of 12 gauge galvanized sheet metal and cannot be deformed.
- C. The edge of the duct opening is pressed against the upper edge of the duct drain, making it leak-tight.
- D. A large area of the duct is drawn into a funnel shape.
- E. The threaded drain, nut, and cap are corrosion resistant.

## BASIC USE

When moisture collection is a problem in duct work or drain pans, the Ductmate moisture drain is an economical and fast way of installing a leakproof drain.

## DIMENSIONS

Moisture Drain	Diameter of MPT Pipe	Diameter of Hole in Duct Wall	Diameter of Funnel	Total Height w/o Cap
3/4"	3/4"	1 1/16"	3 1/2"	1 1/2"

## PACKAGING INFORMATION

Part No.	Item Description	Packaging Unit	Unit Weight
MD75GAK	Drain Fittings with Nut and Cap	1 Set	6 lbs.

## ASSEMBLY

1. Drill a 1 1/16" hole in the duct wall with the appropriate drill bit.
2. Insert the drain.
3. Position the funnel and screw on the nut. Tighten the nut until the sheet metal wall is drawn down into the funnel. Typically, no gaskets are used. A sealant need only be applied when damaged or very rough metal surfaces are used. The cap is to be used when there is no drainage pipe.

## LIMITED PRODUCT WARRANTY

Ductmate warrants that the Moisture Drain, when properly installed and maintained, will be free from defects in material and workmanship, and will comply with all written specifications made by Ductmate at the time of sale. Ductmate's warranty shall run for a period of one year from the date of manufacture.

### Warranty Limitation

The warranty stated above is in lieu of all other warranties, express or implied, including but not limited to the implied warranties of MERCHANTABILITY AND FITNESS FOR A PARTICULAR PURPOSE. Although Ductmate may have suggested the product, or provided written or oral advice to the Purchaser, it is the Purchaser's responsibility to test and determine the suitability of Moisture Drain, for the intended use and purpose, and Purchaser and/or its customer assumes all risk and liability whatsoever regarding such suitability.

### Limitation of Liability

In the event of a breach of the above warranty, Ductmate's sole obligation, and Purchaser's sole and exclusive remedy, shall be, at Ductmate's option, repair or replacement of any defective products, or refund of an applicable portion of the purchase price. Ductmate shall have no liability for costs of removal or reinstallation of the product. The Purchaser agrees that no other remedy, including but not limited to loss of profits, loss sales, injury to person or property, or any other special, incidental or consequential damages, shall be available to the Purchaser for any claim arising out of this Agreement, regardless of whether such claim is made in contract or in tort, including strict liability in tort. In no event will Ductmate be obligated to pay damages to the Purchaser in any amount exceeding the purchase price that the Purchaser paid to Ductmate for the allegedly defective product.



**Charleroi, PA**  
210 Fifth Street  
Charleroi, PA 15022  
724-258-0500

**Lodi, CA**  
810 S. Cluff Avenue  
Lodi, CA 95240-9141  
209-333-4680

*Additional Manufacturing and Warehousing in  
Monongahela, PA and Wagoner, OK*

1-800-245-3188 • [www.ductmate.com](http://www.ductmate.com)

© Copyright Ductmate Industries. All rights reserved.



Ductmate Is A Proud Member Of The Following Organizations:



Distributed By: