



Drywall Access Doors



Ideal For Drywall, Block, & Cement Board

Multipurpose for all construction trades

- Precision stamped one piece design
- High quality professional satin finish
- Contoured corners for safety and aesthetics
- Standard sizes 6" to 24" and 24" x 36"
- Stringent door/frame tolerances for clean streamline appearance



DUCTMATE[®]
Industries, Inc.

Drywall Access Doors

Multipurpose for all construction trades

DESCRIPTION

Ductmate® Drywall Access Doors are designed for installation into drywall, block, cement board and feature a one piece frame. These doors are suitable for either wall or ceiling applications. The frame has rounded corners for safety, hidden hinge pins, and a 1/4 turn slot drive latch. The doors are paintable and finish flush to the wall for a professional look.

BASIC USE

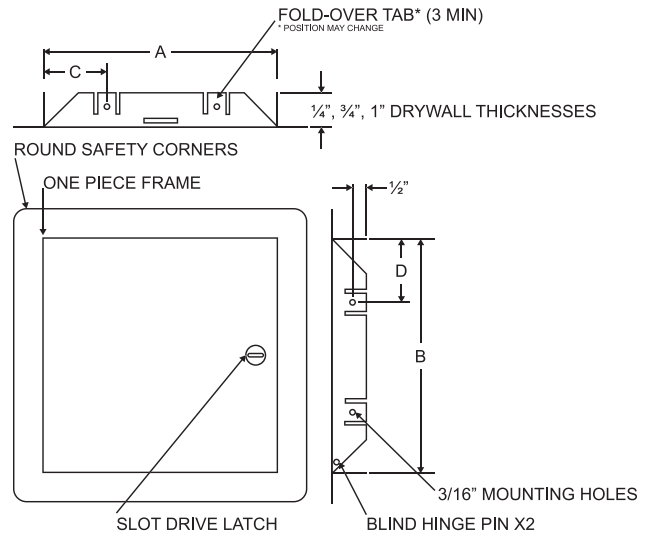
Designed specifically for installation in walls and ceilings. Providing easy access to critical mechanical systems such as electrical, plumbing, HVAC, and other applications.

SPECIAL CHARACTERISTICS

- Precision stamped one piece design
- High quality professional satin finish
- Contoured corners for safety and aesthetics
- Stringent door/frame tolerances for clean streamline appearance
- Standard sizes 6" to 24" and 24" x 36"
- Special sizes and configurations available upon request

TECHNICAL DATA

- Material:** 6" - 18", 22 Ga Satin Coated Steel
20" - 24"x36", 18 Ga Satin Coated Steel
- Finish:** Paintable Satin Finish
- Door:** Flush to frame with hidden hinge pin, 1/4 turn slot drive latch, and safety turn back all around
- Frame:** Rounded safety corners, fold-over tabs and screw holes for 18" and under, and **screw holes only** for 20" and over



Part Number	Description	Opening Size	A	B	Rough In	Frame OD	C	D
DWF6SC	6" x 6" Drywall Access Door	6" x 6"	5 3/4"	5 3/4"	5 7/8" x 5 7/8"	8" x 8"	4"	2"
DWF8SC	8" x 8" Drywall Access Door	8" x 8"	7 3/4"	7 3/4"	7 7/8" x 7 7/8"	10" x 10"	2"	1 3/4"
DWF10SC	10" x 10" Drywall Access Door	10" x 10"	9 3/4"	9 3/4"	9 7/8" x 9 7/8"	12" x 12"	2 3/4"	2 1/4"
DWF12SC	12" x 12" Drywall Access Door	12" x 12"	11 3/4"	11 3/4"	11 7/8" x 11 7/8"	14" x 14"	2 5/8"	2 5/8"
DWF14SC	14" x 14" Drywall Access Door	14" x 14"	13 3/4"	13 3/4"	13 7/8" x 13 7/8"	16" x 16"	3 1/2"	3 5/8"
DWF16SC	16" x 16" Drywall Access Door	16" x 16"	15 3/4"	15 3/4"	15 7/8" x 15 7/8"	18" x 18"	2 7/8"	2"
DWF18SC	18" x 18" Drywall Access Door	18" x 18"	17 3/4"	17 3/4"	17 7/8" x 17 7/8"	20" x 20"	3"	3"
DWF20SC	20" x 20" Drywall Access Door	20" x 20"	19 3/4"	19 3/4"	19 7/8" x 19 7/8"	24" x 24"	3"	3"
DWF24SC	24" x 24" Drywall Access Door	24" x 24"	23 3/4"	23 3/4"	23 7/8" x 23 7/8"	26" x 26"	3 3/8"	3 3/8"
DWF2436SC	24" x 36" Drywall Access Door	24" x 36"	23 3/4"	35 3/4"	23 7/8" x 35 7/8"	26" x 38"	3 3/8"	3 3/8"

LIMITED PRODUCT WARRANTY

Ductmate warrants that Drywall Access Doors, when properly installed and maintained, will be free from defects in material and workmanship, and will comply with all written specifications made by Ductmate at the time of sale. Ductmate's warranty shall run for a period of one year from the date of manufacture.

Warranty Limitation

The warranty stated above is in lieu of all other warranties, express or implied, including but not limited to the implied warranties of MERCHANTABILITY AND FITNESS FOR A PARTICULAR PURPOSE. Although Ductmate may have suggested the product, or provided written or oral advice to the Purchaser, it is the Purchaser's responsibility to test and determine the suitability of Drywall Access Doors, for the intended use and purpose, and Purchaser and/or its customer assumes all risk and liability whatsoever regarding such suitability.

Limitation of Liability

In the event of a breach of the above warranty, Ductmate's sole obligation, and Purchaser's sole and exclusive remedy, shall be, at Ductmate's option, repair or replacement of any defective products, or refund of an applicable portion of the purchase price. Ductmate shall have no liability for costs of removal or reinstallation of the product. The Purchaser agrees that no other remedy, including but not limited to loss of profits, loss sales, injury to person or property, or any other special, incidental or consequential damages, shall be available to the Purchaser for any claim arising out of this Agreement, regardless of whether such claim is made in contract or in tort, including strict liability in tort. In no event will Ductmate be obligated to pay damages to the Purchaser in any amount exceeding the purchase price that the Purchaser paid to Ductmate for the allegedly defective product.



Charleroi, PA
210 Fifth Street
Charleroi, PA 15022
724-258-0500

Lodi, CA
810 S. Cluff Avenue
Lodi, CA 95240-9141
209-333-4680

Additional Manufacturing and Warehousing in Monongahela, PA and Wagoner, OK

1-800-245-3188 • www.ductmate.com

© Copyright Ductmate Industries, Inc. All rights reserved.



Ductmate Is A Proud Member Of The Following Organizations:



Distributed By: