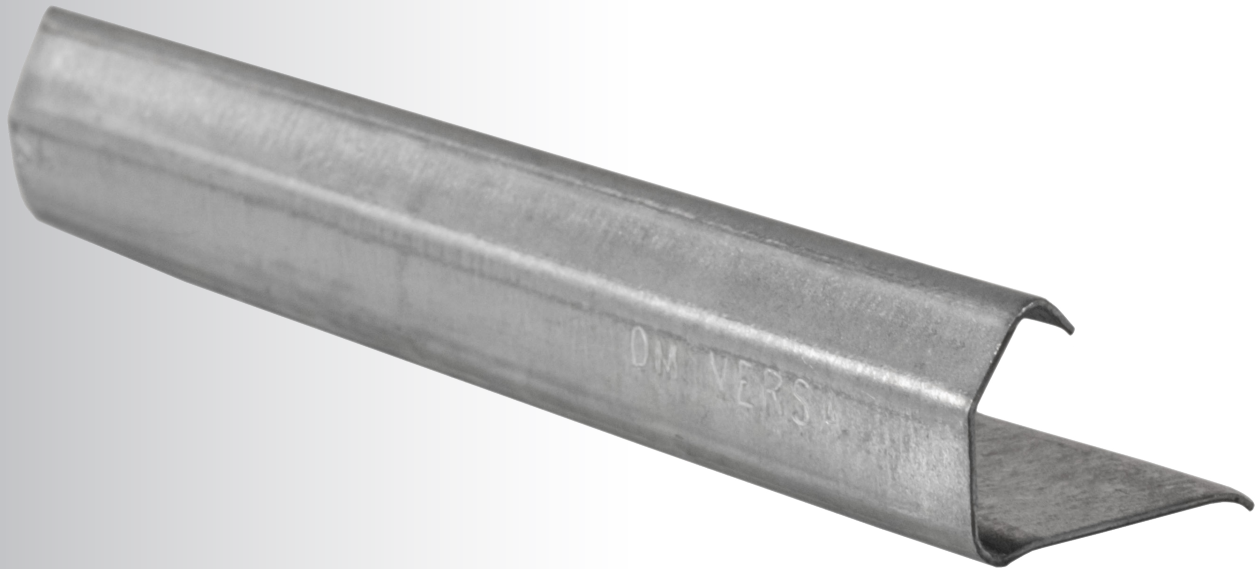


Versa-Cleat®



Snap-On Cleat

For Rectangular Connections

- The unique design of this cleat allows it to be used on most rectangular connections, including:
 - TDC
 - Ductmate 35
 - Ductmate 45
- Available in specialty metals
- Available in 6" or 10' lengths



DUCTMATE®
Industries, Inc.

DESCRIPTION

Versa-Cleat is a snap-on cleat that can be used in conjunction with a variety of TDC connections, along with Ductmate 35 and Ductmate 45.

BASIC USE

Versa-Cleat ensures even compression of the gasket along the length of the flange.

FEATURES

- Can be used with DM35, DM45, and TDC
- Roll formed from 22 gauge Galvanized steel for application around perimeter of transverse joints
- Available in Galvanized, Galvanneal, 304 Stainless, 316 Stainless, PVC Coated, and Aluminized metals

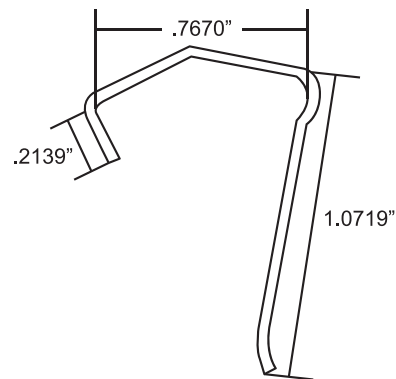
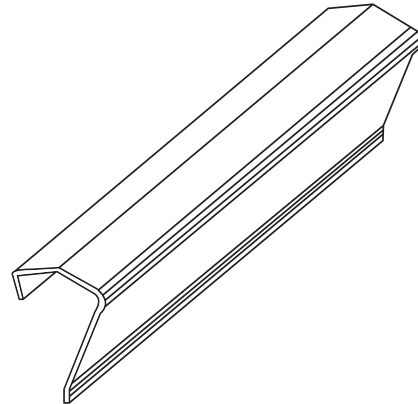
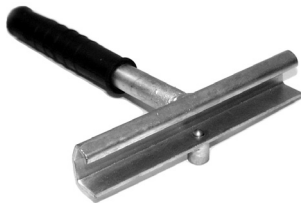
PACKAGING

Part No.	Description	Quantity	Linear Ft	Weight
DV6CGA	6" Cleat	250 Pcs / Box	125' / Box	29 lbs. / Box
DV10CGA	10' Cleat	10 Lengths	100' / Bundle	23 lbs. / Bundle

SPECIAL TOOLS

Versa Cleater Tool used to install Versa-Cleat.

Part Number: VERSA TOOL



All measurements are inside dimensions.
Manufactured from 22 ga.

LIMITED PRODUCT WARRANTY

Ductmate warrants that Versa-Cleat, when properly installed and maintained, will be free from defects in material and workmanship, and will comply with all written specifications made by Ductmate at the time of sale. Ductmate's warranty shall run for a period of one year from the date of manufacture.

Warranty Limitation

The warranty stated above is in lieu of all other warranties, express or implied, including but not limited to the implied warranties of MERCHANTABILITY AND FITNESS FOR A PARTICULAR PURPOSE. Although Ductmate may have suggested the product, or provided written or oral advice to the Purchaser, it is the Purchaser's responsibility to test and determine the suitability of Versa-Cleat, for the intended use and purpose, and Purchaser and/or its customer assumes all risk and liability whatsoever regarding such suitability.

Limitation of Liability

In the event of a breach of the above warranty, Ductmate's sole obligation, and Purchaser's sole and exclusive remedy, shall be, at Ductmate's option, repair or replacement of any defective products, or refund of an applicable portion of the purchase price. Ductmate shall have no liability for costs of removal or reinstallation of the product. The Purchaser agrees that no other remedy, including but not limited to loss of profits, loss sales, injury to person or property, or any other special, incidental or consequential damages, shall be available to the Purchaser for any claim arising out of this Agreement, regardless of whether such claim is made in contract or in tort, including strict liability in tort. In no event will Ductmate be obligated to pay damages to the Purchaser in any amount exceeding the purchase price that the Purchaser paid to Ductmate for the allegedly defective product.

Distributed By:



Charleroi, PA
210 Fifth Street
Charleroi, PA 15022
724-258-0500

Lodi, CA
810 S. Cluff Avenue
Lodi, CA 95240-9141
209-333-4680

Additional Manufacturing and Warehousing in
Monongahela, PA and Wagoner, OK

1-800-245-3188 • www.ductmate.com

© Copyright Ductmate Industries, Inc. All rights reserved.



Ductmate Is A Proud Member Of The Following Organizations:

